

# Order Form | Mica Band Heater



Company: \_\_\_\_\_ Contact: \_\_\_\_\_ Date: \_\_\_\_\_

MONTH / DAY / YEAR

E-mail: \_\_\_\_\_ Tel: \_\_\_\_\_ Date required: \_\_\_\_\_

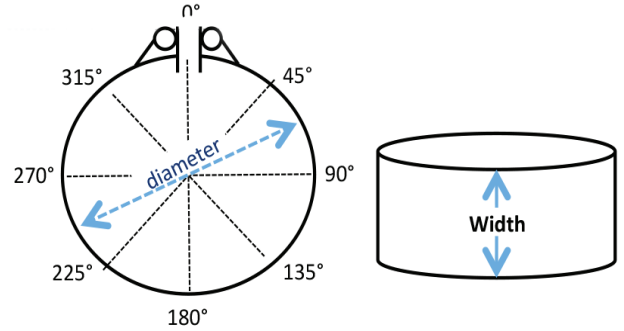
MONTH / DAY / YEAR

## SPECIFICATIONS

MODEL (select) ▼	OPERATING TEMPERATURE <input type="checkbox"/> °C <input type="checkbox"/> °F
------------------	--

APPLICATION

DIAMETER <input type="checkbox"/> inches <input type="checkbox"/> mm	WIDTH <input type="checkbox"/> inches <input type="checkbox"/> mm	Quantity
---	--	----------



## ELECTRICAL SPECIFICATIONS

Voltage	Wattage	<input type="checkbox"/> Single <input type="checkbox"/> Three <input type="checkbox"/> Dual Voltage	CONNECTION <input type="checkbox"/> Standard Loc. (°) _____
---------	---------	--	--

<input type="checkbox"/> Hole: <table border="1"> <thead> <tr> <th>SIZE</th> <th>LOCATION</th> </tr> </thead> <tbody> <tr><td>1. _____</td><td>_____</td></tr> <tr><td>2. _____</td><td>_____</td></tr> <tr><td>3. _____</td><td>_____</td></tr> <tr><td>4. _____</td><td>_____</td></tr> </tbody> </table>	SIZE	LOCATION	1. _____	_____	2. _____	_____	3. _____	_____	4. _____	_____	<input type="checkbox"/> Slot: <table border="1"> <thead> <tr> <th>SIZE</th> <th>LOCATION</th> </tr> </thead> <tbody> <tr><td>1. _____</td><td>_____</td></tr> <tr><td>2. _____</td><td>_____</td></tr> <tr><td>3. _____</td><td>_____</td></tr> <tr><td>4. _____</td><td>_____</td></tr> </tbody> </table>	SIZE	LOCATION	1. _____	_____	2. _____	_____	3. _____	_____	4. _____	_____	<input type="checkbox"/> Cut-Out: <table border="1"> <thead> <tr> <th>SIZE</th> <th>LOCATION</th> </tr> </thead> <tbody> <tr><td>1. _____</td><td>_____</td></tr> <tr><td>2. _____</td><td>_____</td></tr> <tr><td>3. _____</td><td>_____</td></tr> <tr><td>4. _____</td><td>_____</td></tr> </tbody> </table>	SIZE	LOCATION	1. _____	_____	2. _____	_____	3. _____	_____	4. _____	_____
SIZE	LOCATION																															
1. _____	_____																															
2. _____	_____																															
3. _____	_____																															
4. _____	_____																															
SIZE	LOCATION																															
1. _____	_____																															
2. _____	_____																															
3. _____	_____																															
4. _____	_____																															
SIZE	LOCATION																															
1. _____	_____																															
2. _____	_____																															
3. _____	_____																															
4. _____	_____																															

## ELECTRICAL CONNECTIONS

<input type="checkbox"/> Fiberglass Leads; Length _____ ("") <input type="checkbox"/> Metal Braid (SS); Length _____ ("") <input type="checkbox"/> Armour Cable (AC); Length _____ ("")	<input type="checkbox"/> Post Terminals 10-32 Thread (standard) <input type="checkbox"/> Ceramic Terminal Covers <input type="checkbox"/> Plug (specify) _____	<input type="checkbox"/> Euro Style: <input type="checkbox"/> Vert. <input type="checkbox"/> Hor. <input type="checkbox"/> Ground
---	--	--

## HEATER CONSTRUCTION

1-piece Construction Standard  
 2-piece Construction; Voltage each half  
 Hinged  
 One Time Expandable  
 Fully Expandable  
 Gap: Standard 3/8 (dimension) \_\_\_\_\_  
 High Temperature Construction (HT950)

## LOCK UP

Straps  
 Flange  
 Spring Loaded Strap  
 Stainless  
 Welded Barrel Nut  
 Spring Load Barrel Nut  
 Full Width Strap

## ADAPTORS & FITTINGS

Thermocouple Fitting  
 Hinge

**TERMINAL BOX**  
 Standard  Low Profile

SPECIAL INSTRUCTIONS:

SUBMIT FORM