

Order Form | Ceramic Band Heater

Company: _____ Contact: _____ Date: _____

MONTH / DAY / YEAR

E-mail: _____ Tel: _____ Date required: _____

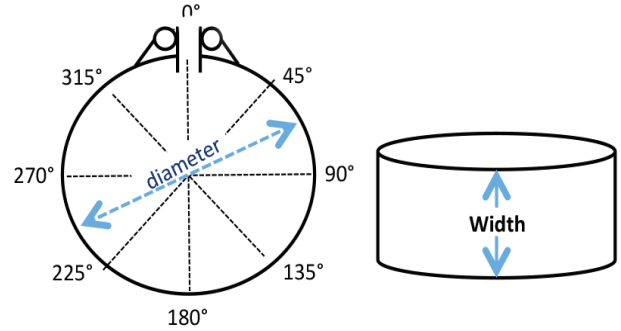
MONTH / DAY / YEAR

SPECIFICATIONS

MODEL (select) ▼	OPERATING TEMPERATURE <input type="checkbox"/> °C <input type="checkbox"/> °F
------------------	--

APPLICATION

DIAMETER <input type="checkbox"/> inches <input type="checkbox"/> mm	WIDTH <input type="checkbox"/> inches <input type="checkbox"/> mm	Quantity
---	--	----------



ELECTRICAL SPECIFICATIONS

Voltage	Wattage	<input type="checkbox"/> Single <input type="checkbox"/> Three <input type="checkbox"/> Dual Voltage	CONNECTION <input type="checkbox"/> Standard Loc. (°) _____	INSULATION <input type="checkbox"/> 1/16" <input type="checkbox"/> 1/8" <input type="checkbox"/> 1/4" <input type="checkbox"/> 1/2"
---------	---------	--	--	--

<input type="checkbox"/> Hole: <table border="1"> <thead> <tr> <th>SIZE</th> <th>LOCATION</th> </tr> </thead> <tbody> <tr><td>1. _____</td><td>_____</td></tr> <tr><td>2. _____</td><td>_____</td></tr> <tr><td>3. _____</td><td>_____</td></tr> <tr><td>4. _____</td><td>_____</td></tr> </tbody> </table>	SIZE	LOCATION	1. _____	_____	2. _____	_____	3. _____	_____	4. _____	_____	<input type="checkbox"/> Slot: <table border="1"> <thead> <tr> <th>SIZE</th> <th>LOCATION</th> </tr> </thead> <tbody> <tr><td>1. _____</td><td>_____</td></tr> <tr><td>2. _____</td><td>_____</td></tr> <tr><td>3. _____</td><td>_____</td></tr> <tr><td>4. _____</td><td>_____</td></tr> </tbody> </table>	SIZE	LOCATION	1. _____	_____	2. _____	_____	3. _____	_____	4. _____	_____	<input type="checkbox"/> Cut-Out: <table border="1"> <thead> <tr> <th>SIZE</th> <th>LOCATION</th> </tr> </thead> <tbody> <tr><td>1. _____</td><td>_____</td></tr> <tr><td>2. _____</td><td>_____</td></tr> <tr><td>3. _____</td><td>_____</td></tr> <tr><td>4. _____</td><td>_____</td></tr> </tbody> </table>	SIZE	LOCATION	1. _____	_____	2. _____	_____	3. _____	_____	4. _____	_____
SIZE	LOCATION																															
1. _____	_____																															
2. _____	_____																															
3. _____	_____																															
4. _____	_____																															
SIZE	LOCATION																															
1. _____	_____																															
2. _____	_____																															
3. _____	_____																															
4. _____	_____																															
SIZE	LOCATION																															
1. _____	_____																															
2. _____	_____																															
3. _____	_____																															
4. _____	_____																															

ELECTRICAL CONNECTIONS

<input type="checkbox"/> Fiberglass Leads; Length _____ ("") <input type="checkbox"/> Metal Braid (SS); Length _____ ("") <input type="checkbox"/> Armour Cable (AC); Length _____ ("")	<input type="checkbox"/> Post Terminals 1/4 -20 Thread (standard) <input type="checkbox"/> Ceramic Terminal Covers <input type="checkbox"/> Plug (specify) _____	<input type="checkbox"/> Euro Style: <input type="checkbox"/> Vert. <input type="checkbox"/> Hor. <input type="checkbox"/> Ground
---	--	--

HEATER CONSTRUCTION

1-piece Construction Standard
 2-piece Construction; Voltage each half
 Hinged
 Gap: Standard 3/8 (dimension) _____
 High Temperature Construction (HT950)

LOCK UP

Flange
 Tabs
 Welded Barrel Nut
 Spring Load Barrel Nut

ADAPTORS & FITTINGS

Thermocouple Fitting
 Hinge

TERMINAL BOX
 Standard Low Profile

SPECIAL INSTRUCTIONS:

SUBMIT FORM