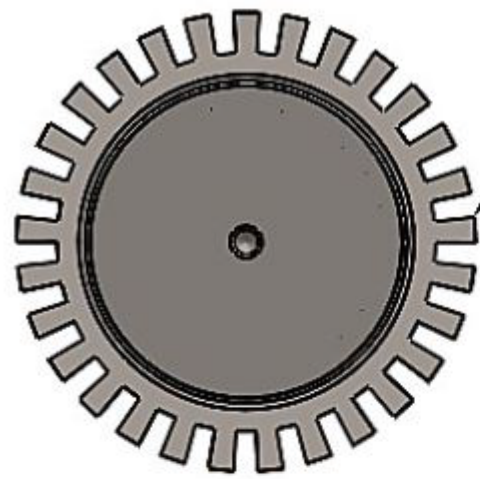
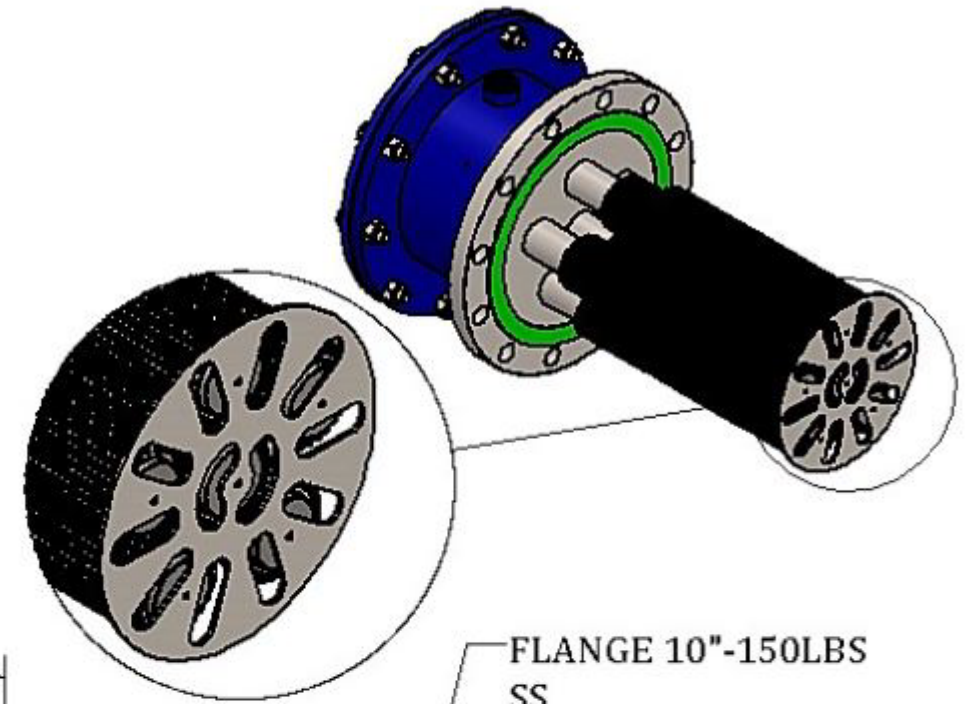
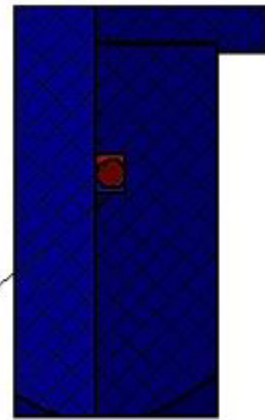


# 10" NEMA 7 - 150 LBS.



FLAME PATH WITH O-RING



TB-116  
NEMA-7  
EXPLOSION PROOF  
(TERMINAL BOX-SS)

