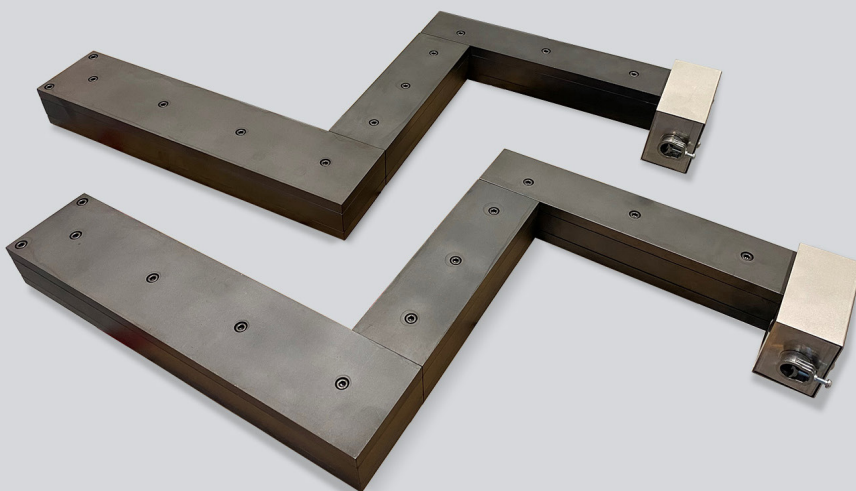
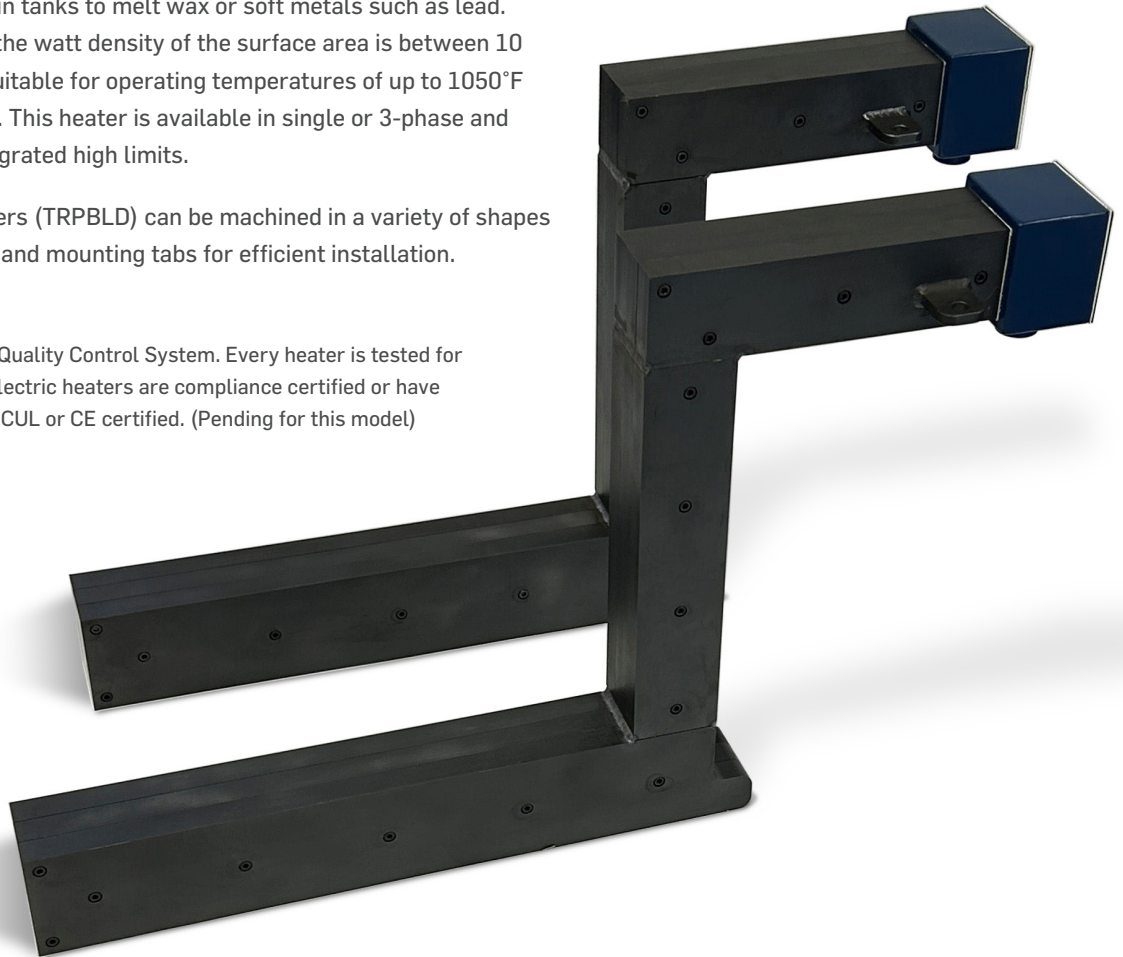


Triflex blade plate heaters (TRPBLD) are manufactured with cold roll steel. An HT-65 treatment option can be applied to the cold roll steel which is then polished, preventing materials from adhering to the heater.

This heater is commonly used in tanks to melt wax or soft metals such as lead. Depending on the application, the watt density of the surface area is between 10 to 25 watts per square inch. Suitable for operating temperatures of up to 1050°F (with high limit thermocouple). This heater is available in single or 3-phase and can be manufactured with integrated high limits.

Trivolt Triflex blade plate heaters (TRPBLD) can be machined in a variety of shapes and sizes, with terminal boxes and mounting tabs for efficient installation.

TriVolt adopts a stringent internal Quality Control System. Every heater is tested for resistance and dielectric. All our electric heaters are compliance certified or have international approvals from CSA, CUL or CE certified. (Pending for this model)



Applications

- Melt metals such as lead*
- Melt materials such as wax*
- Heat chemicals and oils*
- Heat water*

Triflex Blade Plate Heater Data Sheet

Specifications

- » Operating temperature: up to 1050°F (565°C) with TC
- » Watt density: 10-25 watts/sq. in.
- » Single or 3-phase
- » Maximum voltage 600VAC
- » Resistance tolerance: +10% / -5%

Construction

- » Exterior material; steel
- » Dimensions can be customized
- » Thickness: 1" to 3"
- » Width: up to 8"
- » Notches
- » Square cut-out

Electrical Connections

- » Single phase
- » 3-phase

Clamping Method

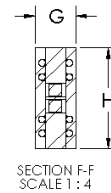
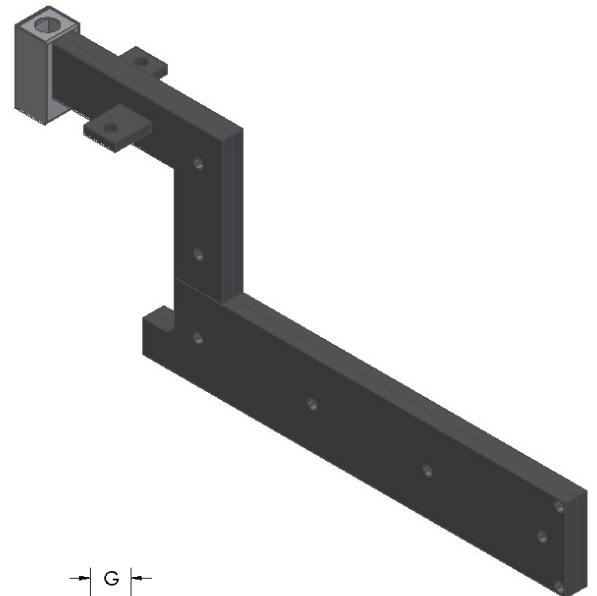
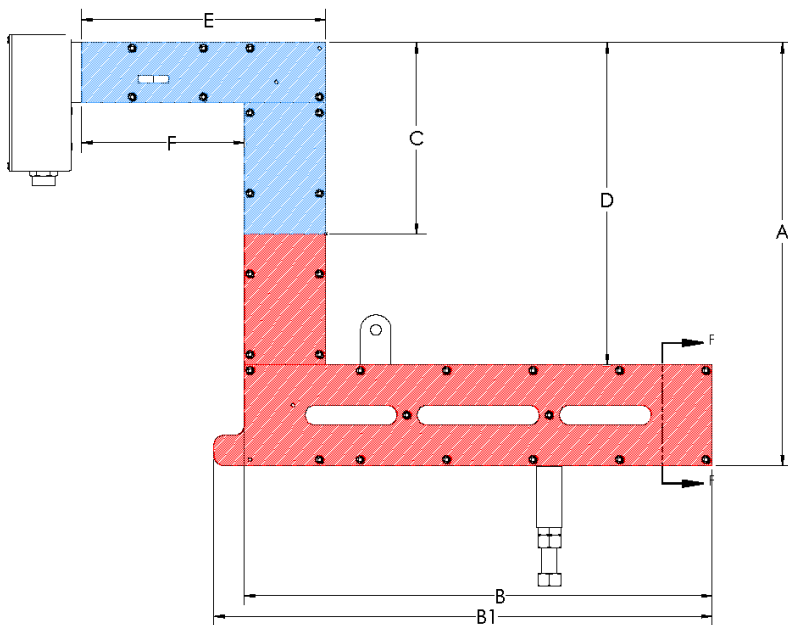
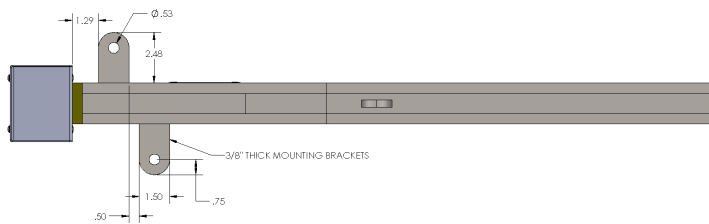
- » Mounting tabs

Terminal Housing

- » Terminal box Nema 1 or 4
- » Terminal box with wire

Options

- » Failure mode
- » Mechanical indicator
- » Foot
- » Lift lug
- » HT-65 treatment
- » Process thermocouple type K
- » High limit type K
- » Two heaters in one frame
- » Hybrid



| Item no. | KW | Volts | A | B | B1 | C | D | E | F | G | H |
|----------------|----|-------|-------|-------|-------|------|-------|-------|------|------|------|
| TRPBLD-5001(S) | 5 | 240 | 12.25 | 16.00 | 16.25 | 6.00 | 8.25 | 12.00 | 8.00 | 2.00 | 4.00 |
| TRPBLD-5002(S) | 5 | 240 | 19.25 | 16.00 | 16.25 | 6.00 | 15.25 | 12.00 | 8.00 | 2.00 | 4.00 |
| TRPBLD-5003(S) | 10 | 240 | 19.25 | 16.00 | 16.25 | 6.00 | 11.25 | 12.00 | 8.00 | 3.00 | 8.00 |
| TRPBLD-5004(S) | 10 | 480 | 19.25 | 16.00 | 16.25 | 6.00 | 11.25 | 12.00 | 8.00 | 3.00 | 8.00 |

www.tri-volt.com

TriVolt Industries Inc.
1-866-321-4460 // sales@tri-volt.com

TRIVOLT
industries